

# **Programmes After Market Services NHM-3 Series Transceivers**

## **Non serviceable Accessories**

## Table of Contents

	Page No
<b>Non serviceable Accessories .....</b>	<b>1</b>
Internal Battery BLL-2.....	4
Product Code .....	4
AC Travel Charger ACP-7.....	5
Product Codes .....	5
Specification .....	5
Performance Travel Charger ACP-8.....	6
Product Codes .....	6
Specification .....	6
Spare Battery Charger DDC-1 .....	7
Product Code .....	7
Cigarette Lighter Charger LCH-9 .....	8
Product Code .....	8
Specification .....	8
Wall/Desktop Stand DCV-6.....	9
Product Code .....	9
Specification .....	9
Headset HDC-9.....	10
Product Code .....	10
Headset HDC-9P.....	11
Product Code .....	11
Handsfree Microphone HFM-8.....	12
Product Code .....	12
Mounting Plate MKU-1 .....	13
Product Code .....	13
Active Mobile Holder MCC-2 .....	14
Power Cable PCH-4J .....	15
Product Code .....	15
Swivel Mount HHS-14.....	16
Product Code .....	16
Handsfree Speaker HFS-12.....	17
Product Code .....	17
Advanced Handsfree Unit HFU-2.....	18
Product Code .....	18
Loopset LPS-1.....	19
Product Code	19

## List of Figures

	<b>Page No</b>
Fig 1 View of Internal Battery BLL-2 .....	4
Fig 2 View of AC Travel Chargers ACP-7 .....	5
Fig 3 View of Performance Travel Charger ACP-8 .....	6
Fig 4 View of Cigarette Lighter Charger LCH-9 .....	8
Fig 5 View of Wall/Desktop Stand DCV-6 .....	9
Fig 6 View of Headset HDC-9 .....	10
Fig 7 View of Headset HDC-9P .....	11
Fig 8 View of Handsfree Microphone HFM-8 .....	12
Fig 9 Mounting Plate MKU-1 .....	13
Fig 10 View of Active Mobile Holder MCC-2Product Code.....	14
Fig 11 View of Swivel Mount HHS-14 .....	16
Fig 12 View of Handsfree Speaker HFS-12 .....	17
Fig 13 View of Advanced Handsfree Unit HFU-2 .....	18
Fig 14 View of Loopset LPS-1 .....	19

## Internal Battery BLL-2

The BLL-2 is a Li-ion 3.6 V battery with 1200 mAh capacity.



Figure 1: View of Internal Battery BLL-2

### Product Code

Name:	Type Code:	Material Code:
Battery Block	BLL-2	0670286
Battery Block (Special Type Label for China)	BLL-2	0670321

## AC Travel Charger ACP-7

The standard charger is available for different voltage levels and comes with different wall plugs. The standard charger can also be used as a power supply for the desktop stand.

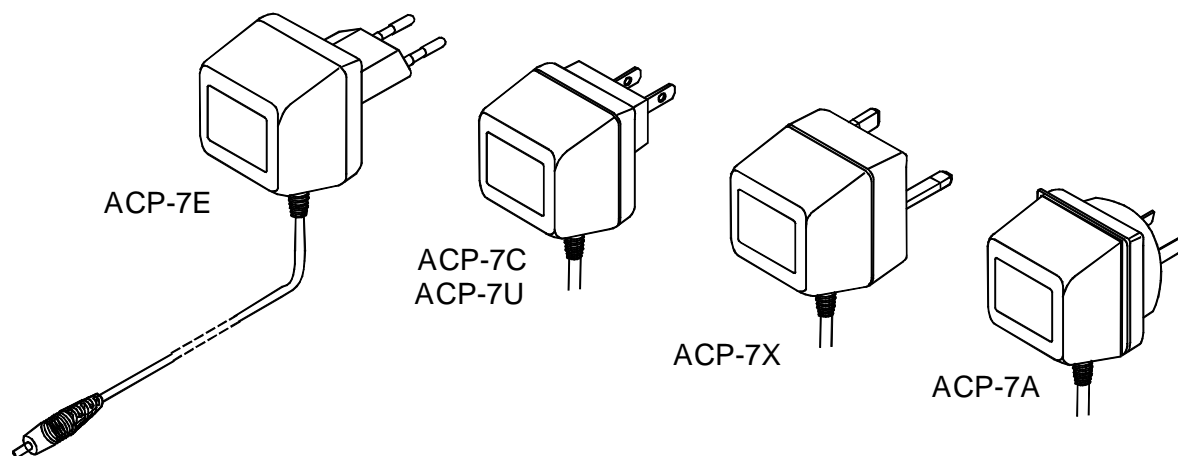


Figure 2: View of AC Travel Chargers ACP-7

### Product Codes

Name:	Type Code:	Material Code:
AC Travel Charger (Euro plug) 207-253 Vac	ACP-7E	0675144
AC Travel Charger (US plug) 108-132 Vac	ACP-7U	0675143
AC Travel Charger (China plug) 198-242 Vac	ACP-7C	0675212
AC Travel Charger (UK plug) 207-253 Vac	ACP-7X	0675145
AC Travel Charger (Australia plug) 216-264 Vac	ACP-7A	0675148

### Specification

Output connectors:	3.5 mm DC plug, 2-pole
Protection:	PTC protection
Output Voltage/Current (typ)	7.6 V / 370 mA

## Performance Travel Charger ACP-8

Operating within the voltage range 90 V...264V AC (50 Hz...60Hz), the Performance Travel Charger is practically current independent in normal office and household use. Like the standard charger, it is compatible with all battery options and is available for different wall sockets.

The Performance Travel Charger can also be used with the desktop stand.

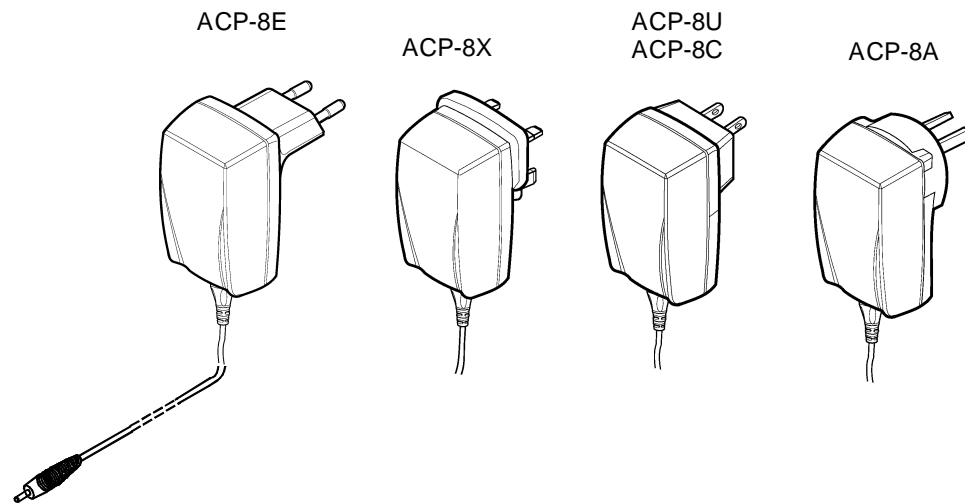


Figure 3: View of Performance Travel Charger ACP-8

### Product Codes

Name:	Type Code:	Material Code:
Performance Travel Charger Euro plug 90-264 Vac	ACP-8E	0675195
Performance Travel Charger UK plug 90-264 Vac	ACP-8X	0675197
Performance Travel Charger US plug 90-264 Vac	ACP-8U	0675196
Performance Travel Charger China plug 90-264 Vac	ACP-8C	0675211
Performance Travel Charger Australia plug 90-264 Vac	ACP-8A	0675214

### Specification

Output connectors:	3.5 mm DC plug, 2-pole (+,-,control)
Protection:	Output fault voltage 16 V max.
Output voltage/current (typ):	6.0 V (+/-0.3 V)/620 mA

## Spare Battery Charger DDC-1

The DDC-1 Battery Charger is a one slot universal battery charger for the following batteries : BLB-2, BLD-2, BLD-3, BMC-2, BMC-3, BLC-2 and BLL-2. The charger holds and charges the battery when it is placed in the deskstand. The DDC-1 charger is not designed for the car environment but will connect to the LCH-9



### Product Code

Name:	Type Code:	Material Code:
Spare Battery Charger	DDC-1	0675243

## Cigarette Lighter Charger LCH-9

A green light indicates that the cigarette lighter charger is ready for charging. Check the charging status on the phone display. The input voltage can be from 11 or 32 V d.c., negative grounding.

The Universal mobile charger can be used with all car accessories provided for your phone except with MCC-1.

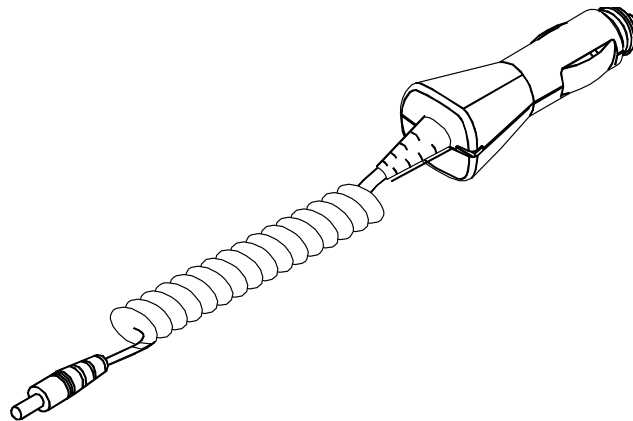


Figure 4: View of Cigarette Lighter Charger LCH-9

## Product Code

Name:	Type Code:	Material Code:
Cigarette lighter charger	LCH-9	0675120

## Specification

### Connectors

- input: D21/23 mm
- output: 3.5 mm DC plug

Protection: input fused, output current limit 850 mA

### Voltage

- input: 11...32 V
- output (nominal): 8.4 V

Nominal output current: 800 mA



## Wall/Desktop Stand DCV-6

The Wall/Desktop stand can be located on a desk or wall as illustrated below:



**Wall Mounted**



**Desktop**

Figure 5: View of Wall/Desktop Stand DCV-6

### Product Code

Name:	Type Code:	Material Code:
Desktop Stand	DCV-6	0675230

### Specification

Connections: *3.5 mm DC jack (ACP-7 or ACP-8)*

## Headset HDC-9

For Handsfree Operation.

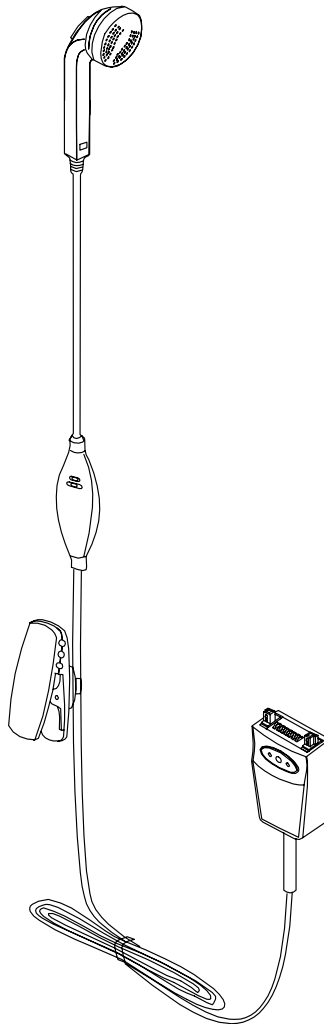


Figure 6: View of Headset HDC-9

### Product Code

Name:	Type Code:	Material Code:
Headset	HDC-9	0694053

## Headset HDC-9P

The HDC-9P headset provides a lower connector.

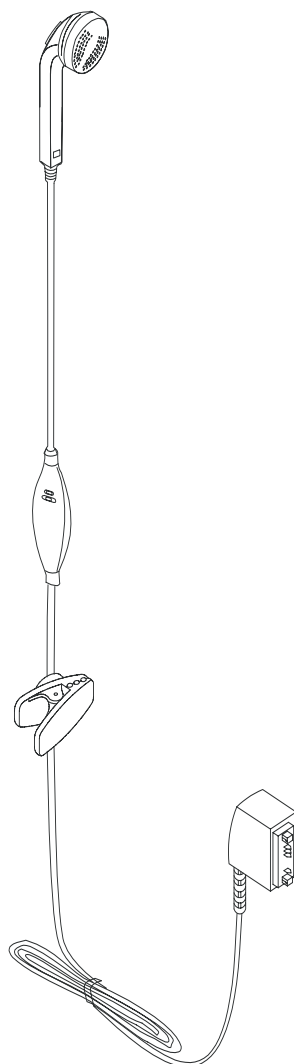


Figure 7: View of Headset HDC-9P

### Product Code

Name:	Type Code:	Material Code:
Headset	HDC-9P	0694069

## Handsfree Microphone HFM-8

The HFM-8 microphone can be used together with PPH-1 plug and play handsfree unit.

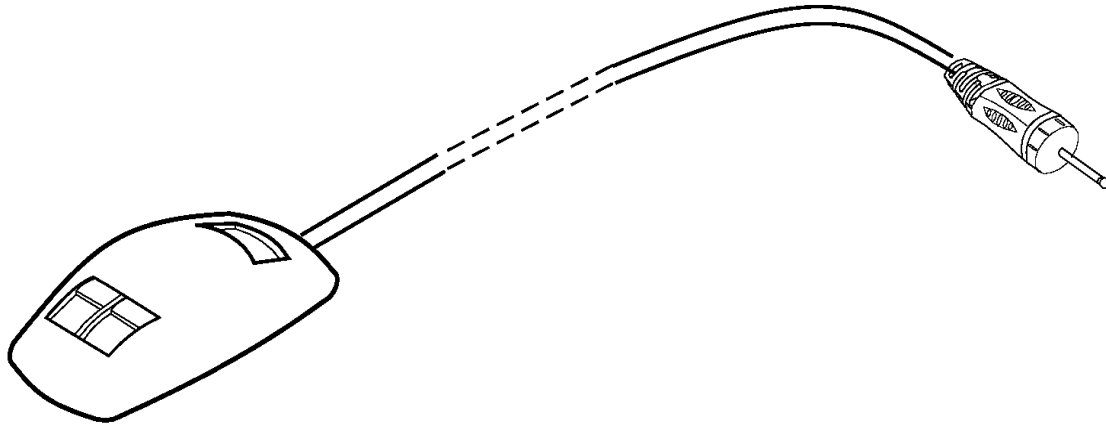


Figure 8: View of Handsfree Microphone HFM-8

### Product Code

Name:	Type Code:	Material Code:
Handsfree Microphone	HFM-8	0690016

## Mounting Plate MKU-1

The MKU-1 mounting plate provides a method of fixing the phone holder, the basic handsfree unit or the handset to the vehicle interior.

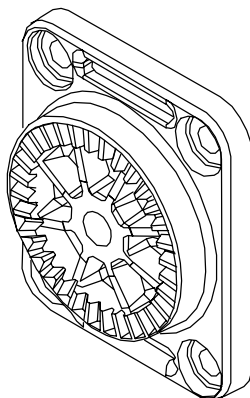


Figure 9: Mounting Plate MKU-1

### Product Code

Name:	Type Code:	Material Code:
Mounting Plate	MKU-1	0620036

## Active Mobile Holder MCC-2

The holder is designed for car installation, to be attached to the dashboard by the HHS-9 Swivel Mount.

The Active Mobile Holder holds and charges the phone, makes handsfree function possible and enables external antenna to be connected when the phone is placed in the holder.

The Holder is powered by Advanced Handsfree unit HFU-2. When the phone is placed to the holder, it is charged and at the same time there is a connection between antenna and the phone.

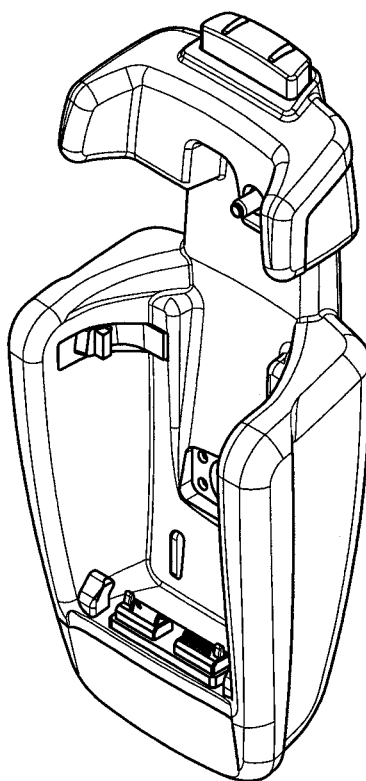
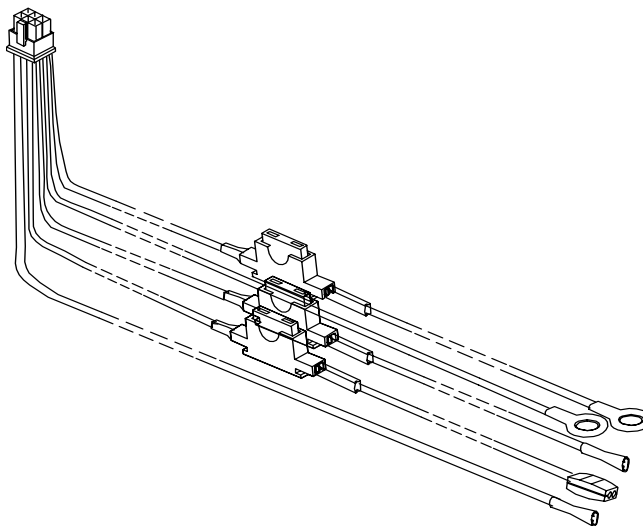


Figure 10: View of Active Mobile Holder MCC-2Product Code

Name:	Type Code:	Material Code:
Active Mobile Holder	MCC-2	0650029

## Power Cable PCH-4J

The Power cable is for connecting the Advanced Handsfree Unit (HFU-2) to the car battery.



View of Power Cable PCH-4J

### Product Code

Name:	Type Code:	Material Code:
Power Cable	PCH-4J	0730055

## Swivel Mount HHS-14

The HHS-14 Swivel Mounting Plate provides an alternative , to the MKU-1 for mounting the phone holder, the handsfree unit or the handset.

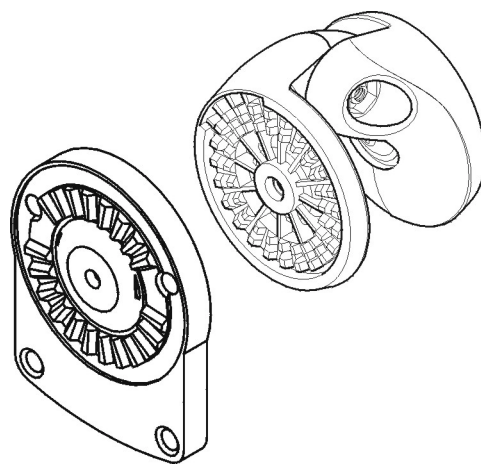


Figure 11: View of Swivel Mount HHS-14

### Product Code

Name:	Type Code:	Material Code:
Swivel Mount	HHS-14	0620057



## Handsfree Speaker HFS-12

The HFS-12 speaker forms part of the compact handsfree unit.

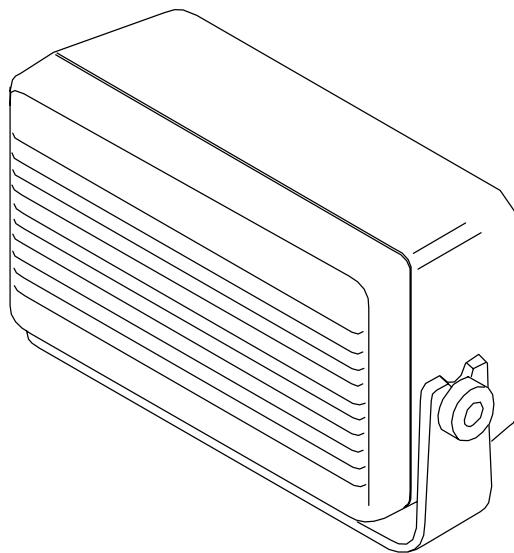


Figure 12: View of Handsfree Speaker HFS-12

### Product Code

Name:	Type Code:	Material Code:
Handsfree Speaker	HFS-12	0692008

## Advanced Handsfree Unit HFU-2

The Advanced Handsfree Unit provides :- rapid charging for the phone, Handsfree operation and connection to a data or the handset.

Input Voltage 10.8-16 Volts DC

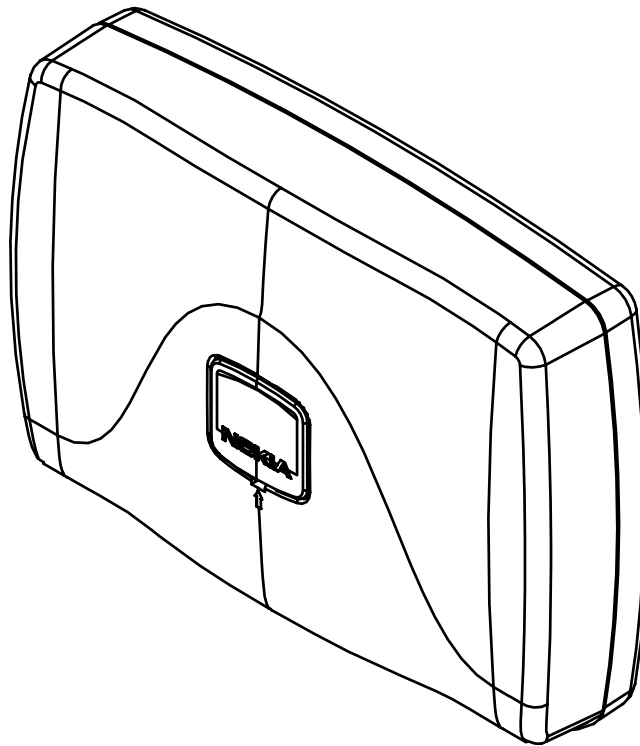


Figure 13: View of Advanced Handsfree Unit HFU-2

### Product Code

Name:	Type Code:	Material Code:
Advanced Handsfree Unit	HFU-2	0694049

## Loopset LPS-1

Aid device for simultaneous use of hearing aid and digital mobile phone. Connection directly to the system connector of a transceiver.

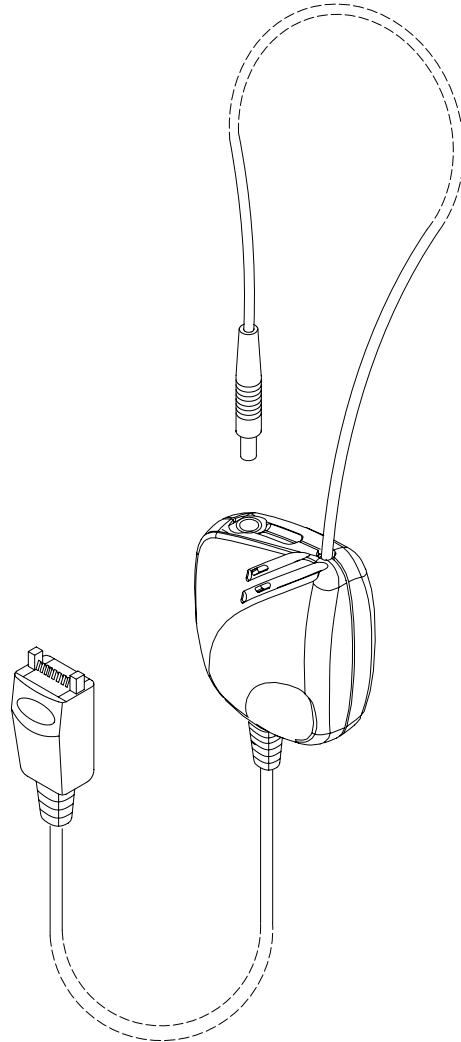


Figure 14: View of Loopset LPS-1

### Product Code

Name:	Type Code:	Material Code:
Loopset	LPS-1	0201179

This Page is Intentionally Blank